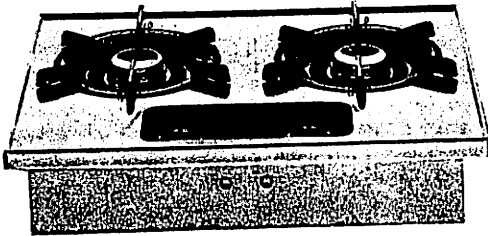


owner's manual

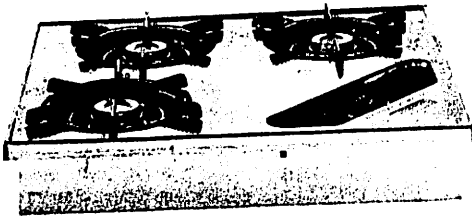
FILE FOR FUTURE REFERENCE

RANGE COUNTER UNIT FOR RECREATIONAL VEHICLES

MODEL NO. 302-20 & 303-20



MODEL 302-20



MODEL 303-20

Assembly • Installation • Repair Parts

CAUTION:

Carefully Read Instructions and Rules for Safe Operation

MANUFACTURED BY



**Atwood Mobile Products
Greenbrier Operations**

Instructions

RULES FOR SAFE OPERATION

1. Read the Owner's Manual and these Rules for Safe Operation carefully.
2. Check that all applicable state and local codes regarding installation have been followed. The supplier of the propane gas is usually an expert in this regard.
3. Check that minimum clearances to combustible materials have been maintained.
4. When igniting the burners, have lighted match ready when the burners are turned on.
5. Never light matches in the vicinity if the odors of gas are noted.
6. A window or other air vent should be opened slightly while using the range counter unit. Gas burner flames consume oxygen which has to be replaced to assure proper combustion.
7. Do not tamper with the burner orifices or change their size.

GENERAL

1. Your Range Counter Unit has been Certified for Safety by The Underwriters Laboratory for use with liquefied petroleum gases only.
2. Burner inputs are shown on a plate attached to each appliance. Refer to this plate for ratings and minimum clearances. The orifices have been sized at the factory at a pressure of 11 inches water column (6½ ounces approximately) for liquefied petroleum gases.

ASSEMBLY

Your new range is fully assembled with the exception of the burner grates and grate clip holdowns. These will be placed on unit after range installation is completed.

INSTALLATION

Consider the following when selecting the location for your range counter unit:

- A. Location of gas supply and routing of gas line.
- B. Minimum clearances of unit from combustible materials. These clearances are:

MODEL 302-20

Sides — 6 inches as measured from center of closest burner head.

Rear — 8 inches as measured from center of closest burner head.

Top — 24 inches as measured from top of unit to bottom of any overhanging cabinet or shelf.

MODEL 303-20

Right Side — 6 inches as measured from center of closest burner head.

Left Side — 7 inches as measured from center of left, front burner head.

Rear — 7 inches as measured from center of closest burner head.

Top — 24 inches as measured from top of unit to bottom of any overhanging cabinet or shelf.

- C. Location with respect to windows where hanging curtains could be blown over the range and possibly be ignited from the burners.

2. After selecting the best location, cut opening in counter-top as shown in the cabinet cutout drawing.
3. Remove burner knobs, and main top assembly. On Model 302-20, remove the valve panel assembly. On Model 303-20, remove the control panel. This will expose the gas manifold on both units.

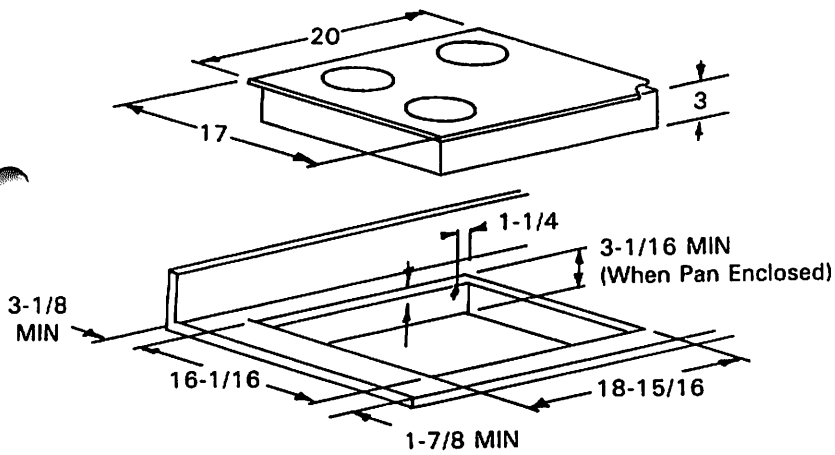
4. Set range unit in place and secure with four No. 8 wood screws (not furnished). Holes for accommodating the screws are provided in the flange around the outside top of the burner box.
5. Install gas supply and route gas line (not furnished) to range counter unit. Here you should seek the assistance of a qualified serviceman. Usually the supplier of the gas will be able to provide expert help in this respect. Too, he will be able to provide the necessary parts, including the copper gas line. The following should be carefully considered:
 - A. The gas tank must be located in a protected place and cannot UNDER ANY CIRCUMSTANCES be located within the confines of the trailer or camper. The supplier of the gas will be acquainted with the applicable codes with respect to the location of the gas supply tank.
 - B. The gas supply line should be copper and should be routed in protected locations so as not to be damaged. A single, continuous line is recommended.
 - C. No connections should be made in the gas line where the connections would be concealed after completion of the installation. All parts used in making connections must be of type acceptable for this purpose. The gas line should not make any sharp bends nor have any kinks. The line should not be under strain.
6. After installing the gas supply and making all connections, check thoroughly for possible gas leaks. Turn the valves on the counter unit to their "off" positions. Open valve on gas supply tank. Using a soap and water solution, check each gas connection one-at-a-time by brushing the soap and water solution over the connection. Presence of bubbles will indicate a leak. Tighten fitting and recheck for leaks. If impossible to correct leak, replace fitting. UNDER NO CIRCUMSTANCES USE MATCHES OR FLAME FOR CHECKING LEAKS.
7. On Model 302-20, replace the valve panel assembly. On Model 303-20, replace the control panel. Place main top assembly on unit. Push burner knobs onto valve stems.
8. Place burner grates in position and secure in place with the clips provided. Instructions are provided on the envelope in which the clips are shipped. These grate clips will hold the grate in place while traveling.
9. Your range counter unit is now ready for use. When lighting, do not turn on the burners before a lighted match is available. Sometimes the burners will not ignite immediately and seem to "blow" slightly when they do ignite. This is usually due to the presence of air in the gas lines which will clear itself within several seconds. This is a normal condition.

CARE AND MAINTENANCE

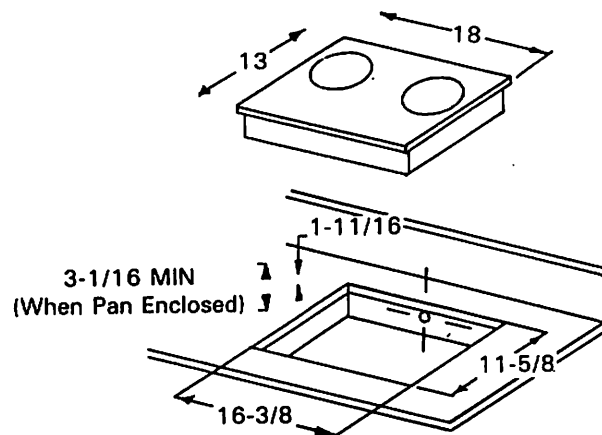
The finish on this range can be preserved by cleaning with a solution of water and mild dishwashing soap. After cleaning and at frequent intervals furniture polish or a light coat of oil must be applied.

cabinet cutouts

CABINET CUTOUT MODEL 303-20



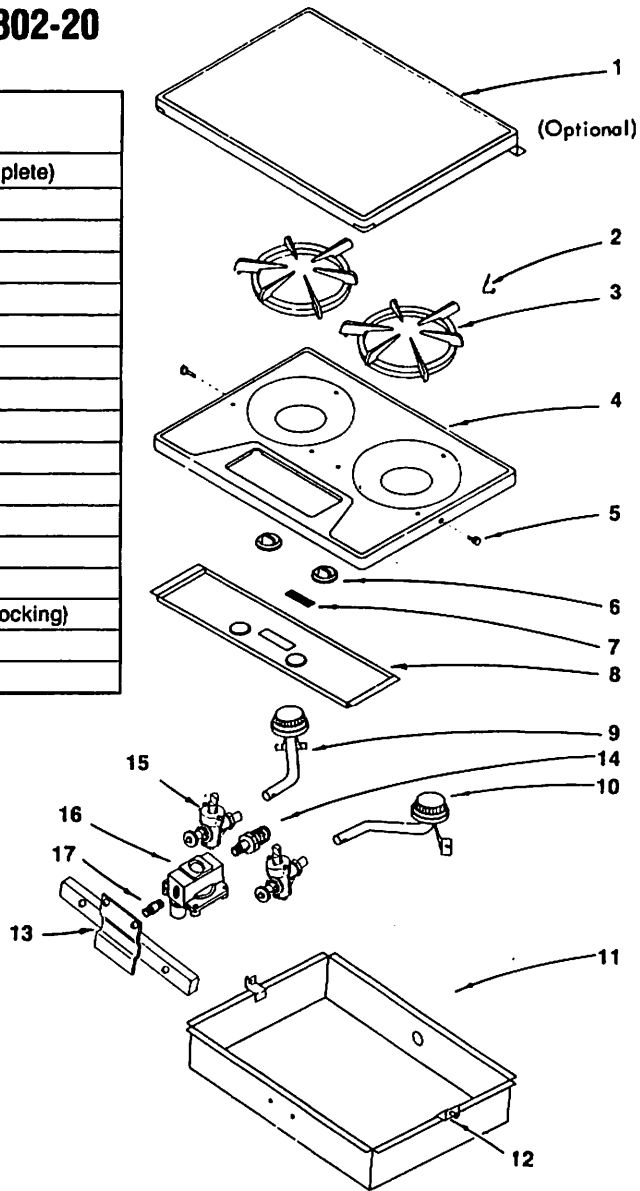
CABINET CUTOUT MODEL 302-20



RANGE COUNTER UNIT

MODEL NUMBER 302-20

Key No.	Part No.	Description
1	0969	Lift Cover Assembly (Complete)
2	2002	Grate Clip
3	0004	Grate
4	7118	Main Top
5	7130	Thumb Screw
6	8256	Burner Knob
7	0014	Travelstar Label
8	7125	Valve Panel Assembly
9	7117	Burner (Left Hand)
10	7116	Burner (Right Hand)
11	7115	Burner Box
12	7128	Clip (Top Holddown)
13	1116	Manifold Pipe
14	1115	Union Connector
15	8133	Burner Valve Complete (Locking)
16	8435	Regulator
17	8435A	Pipe Nipple



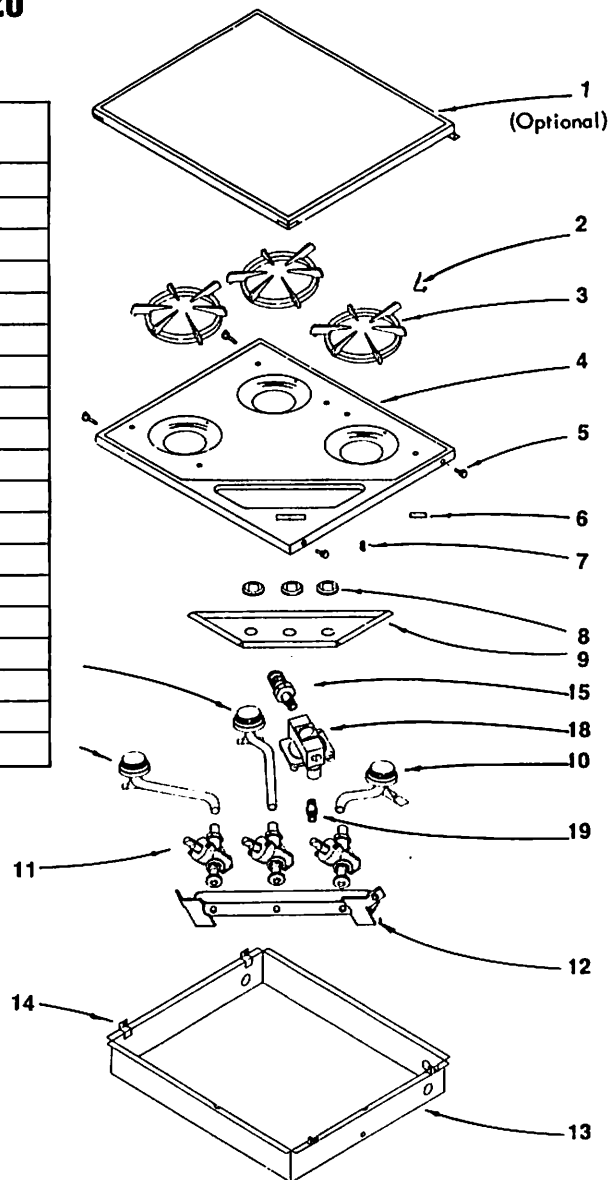
1
2
3
4
5
6
7
8
9
10
11
12
13
14
15
16
17

repair parts

RANGE COUNTER UNIT

MODEL NUMBER 303-20

Key No.	Part No.	Description
1	0964	Lift Cover Assembly (Complete)
2	2002	Grate Clip
3	0004	Grate
4	0117	Main Top
5	7130	Thumb Screw
6	0014	Travelstar Label
7	0961	Speed Clip
8	8256	Burner Knob
9	0951	Control Panel
10	7110	Burner (Right Rear)
11	8133	Burner Valve Complete (Locking)
12	0950	Manifold Pipe
13	7119	Burner Box
14	7129	Clip (Top Holddown)
15	1115	Union Connector
16	7108	Burner (Left Front)
17	7109	Burner (Left Rear)
18	8435	Regulator
19	8435A	Pipe Nipple





RANGE COUNTER UNIT FOR RECREATIONAL VEHICLES

MODELS 302-20 & 303-20

HOW TO ORDER REPAIR PARTS

The Model Number will be found stamped on the rating plate located inside the burner box on the burner box liner. Always mention the Model Number when requesting service for your Range Counter Unit.

All parts listed herein may be ordered through Atwood or any of its authorized service centers. When ordering parts by mail selling prices will be furnished on request or parts will be shipped at prevailing prices and you will be billed accordingly.

WHEN ORDERING REPAIR PARTS, ALWAYS GIVE THE FOLLOWING INFORMATION AS SHOWN IN THIS LIST.

1. The PART NUMBER.
2. The PART DESCRIPTION.
3. The MODEL NUMBER 302-20 or 303-20.
4. The SERIAL NUMBER.
5. The NAME of ITEM -- Range Counter Unit.

When you wish to order parts or contact Customer Service please write or phone Atwood at the following address:



Atwood Mobile Products
Greenbrier Operations
P.O. Box R, Kelly Willis Rd., Greenbrier, TN 37073
Phone: (615) 643-4556